

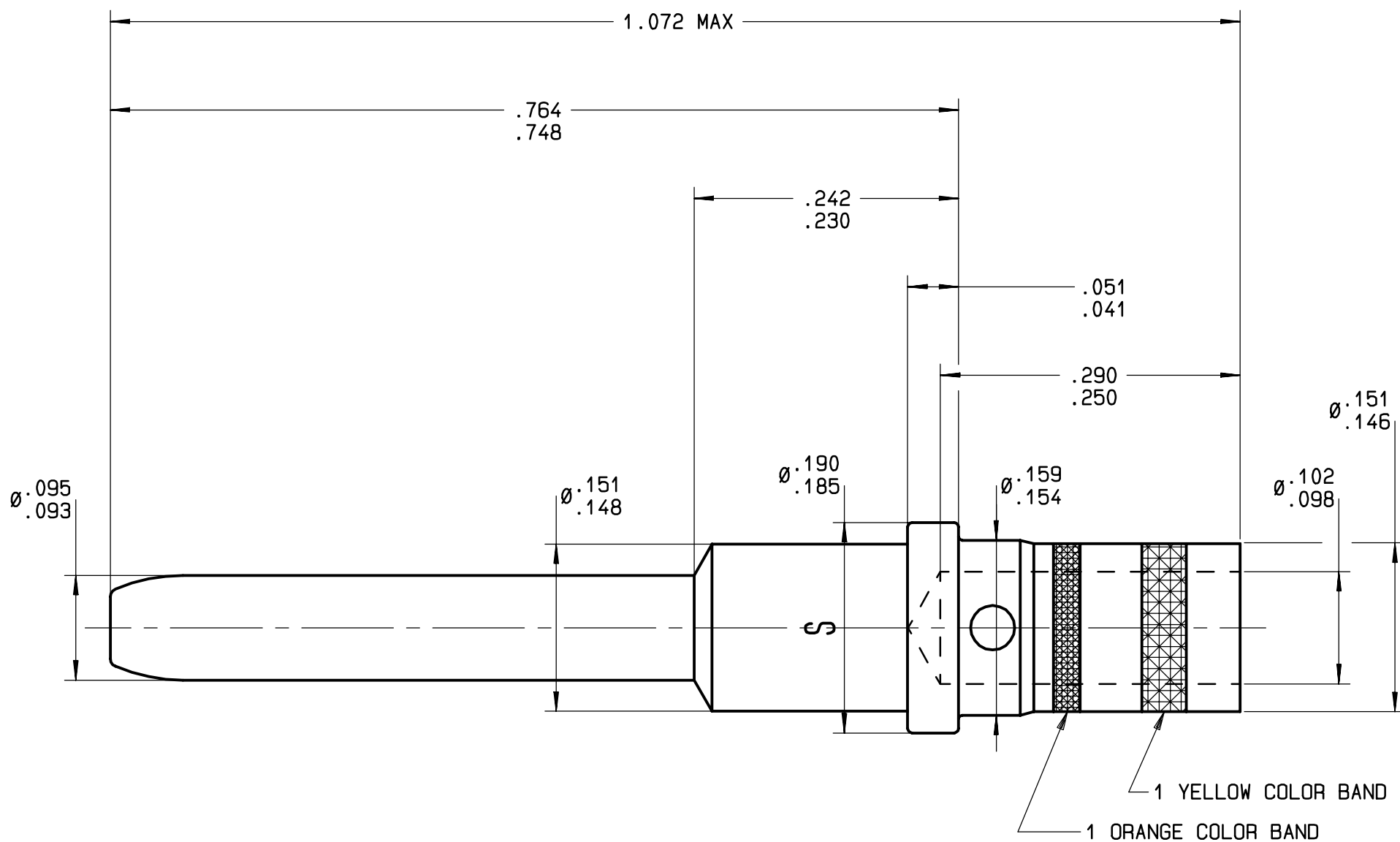


Series  
NSX

SIZE 12 CRIMP REMOVABLE PIN CONTACT

Issue:  
10 APRIL 96

Page  
1 / 1



MATERIAL AND FINISH :  
COPPER ALLOY - GOLD OVER NICKEL

WIRES ACCOMODATED : AWG 12-14-16  
INSULATION DIAMETER : .135 MAX  
STRIP LENGTH : .236

TOOLING  
CRIMPING TOOL : M22520/1-01 RADIALL 282 291  
SELECTOR POSITION : 8 FOR AWG 12  
7 FOR AWG 14  
6 FOR AWG 16

POSITIONER : M22520/1-02 RADIALL 282 972  
INSERTION AND EXTRACTION TOOL : M81969/28-02 RADIALL 282 547

This information is given as an indication. In the continual goal to improve our products, we reserve the right to make any modifications judged necessary.

4112-9311

CREATION				
PEN: .				
NOM: L FALETTI				
DATE: 26 APR 83				
APPR.:	10 APR 96	REDRAWN	VALGRESY	.
	Issue	Revisions	Name	Approved

A620240